

Gazetteer - Wallbury (E) to Welwyn: Cemetery (H)

WALLBURY (E)

TL 493 178 Zone 7

Unpublished excavations at Wallbury Camp about 20 years ago 'have shown that the earthwork is of at least two periods of construction and that there is both early Iron Age and Belgic-period occupation internally' (W. Rodwell 1976a, 330). There is a plan of the camp by Gould (1901). The pottery from the excavations is still with the excavator in the DoE, and is not available for examination. Two or three boxes of pottery are in PEM, from Gould's time: these consist entirely of early Iron Age scraps, with no 'Belgic'.

WALMER (K)

Zone 6

A small pot in Deal Castle is from Knight's Bottom (TR 371 490):

[814] E2-3. '1m SW of Walmer Castle, in 1909.' Grey grog, thick, coarse, well shaped, once burnished. Holes after firing.

Woodruff (1904, pl.IV, 1 & p.11) shows the pair of 'Late-Celtic' bronze spoons found in a grave with a skeleton. A chance find 'thrown out with the chalk and removed to some distance' was a bronze brooch of La Tene II derivative type (Jenkins 1962, pl.IVa). This was presented to the BM. Woodruff otherwise described Roman vessels from the Mill Hill cemetery (under Deal).

In the BM is a collection of Iron Age sherds and a restored pot from 'near the Waterworks' (BM 1930/2-5/1-23); some of the sherds are cordoned. From the fragmentary nature of the pieces this does not seem to be part of the Mill Hill cemetery.

Three grog-tempered pots are in BM, unregistered, and merely labelled 'Du Cros and Rhodes 1923':

[1535] B2-4. Restored, one third plaster, hard grey grog, strong dark grey burnish outside. Three holes drilled in centre base after firing. Once a good pot.

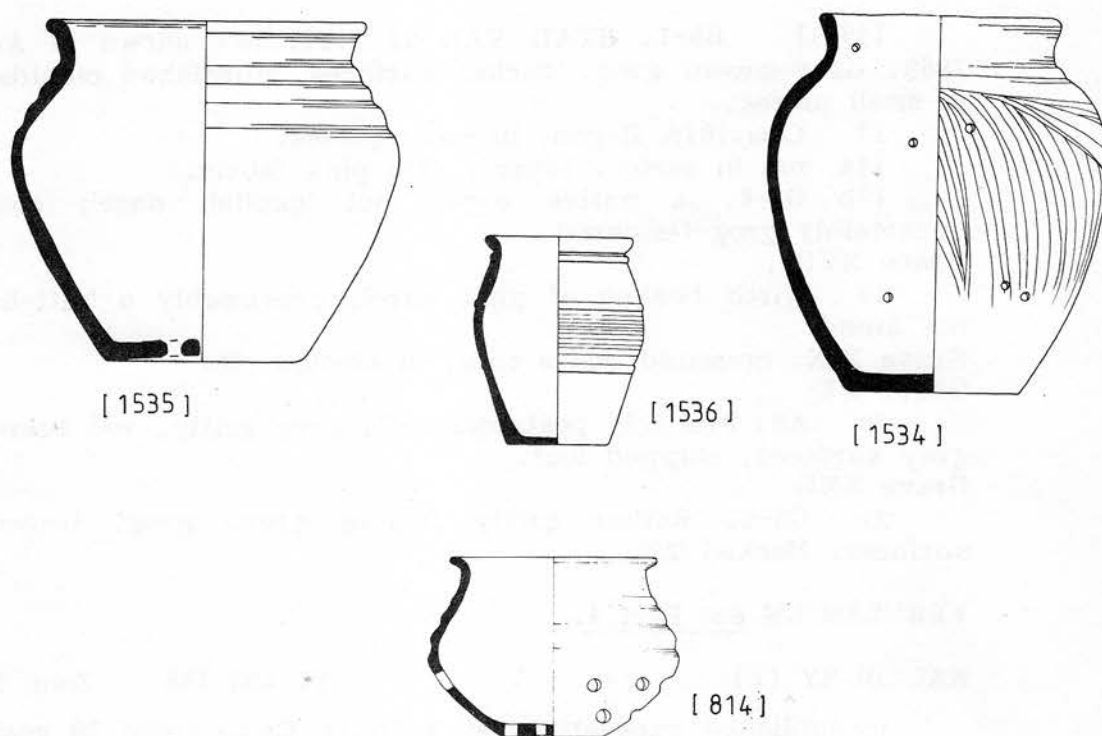


Fig.79: Pottery from Walmer. 1:4.

[1536] G5-3. A third extant only. Neat, grey-brown grog, smooth surfaces, shallow incised lines and tooling.

[1534] B1-2. HM, restored, apparently hard grey grog, patchy grey surfaces, wiped outside, tooled dark grey neck. Holes drilled after firing.

WALSWORTH see HITCHIN.

WALTHAMSTOW (E)

c.TQ 37 89

Hatley (1932, fig.13) shows a 'Belgic' cup described as having 'the usual "soapy" finish of the period'. While a long way from the distribution area of 'Belgic' pottery Walthamstow is on a possible route N from the Thames up the Lea valley. The pot, however, is in the BM (1869/7-26/8) and its shape in the drawing is wrong: the vessel is earlier Iron Age, HM and gently curving, not the necked form shown, which has been falsely restored with plaster. It is one of a quantity of crude HM Iron Age, and Roman, pots, with an iron spearhead, from Walthamstow, and presented by A.W. Franks. There is no 'Belgic'.

WARDS COOMBE (Bu)

SP 973 155

Zone 7

Four trial trenches were dug into a penannular enclosure with bank and internal ditch when the site was replanted in 1971: it was not an extensive investigation (Dunnett 1972). The results were:

- 1 Early Iron Age sherds in the primary silt of the ditch;
- 2 'Belgic' sherds, some in the upper silts, some unstratified;
- 3 three cremation groups in the interior of the enclosure.

Roman sherds, up to c.AD 130, were also found in the upper fill of the ditch, and in a pit in the enclosure which may have been modern. There may be more undiscovered burials within the enclosure, as only one narrow trench was cut across it.

The burial pots were published at 1:5; the relevant ones have been re-drawn here.

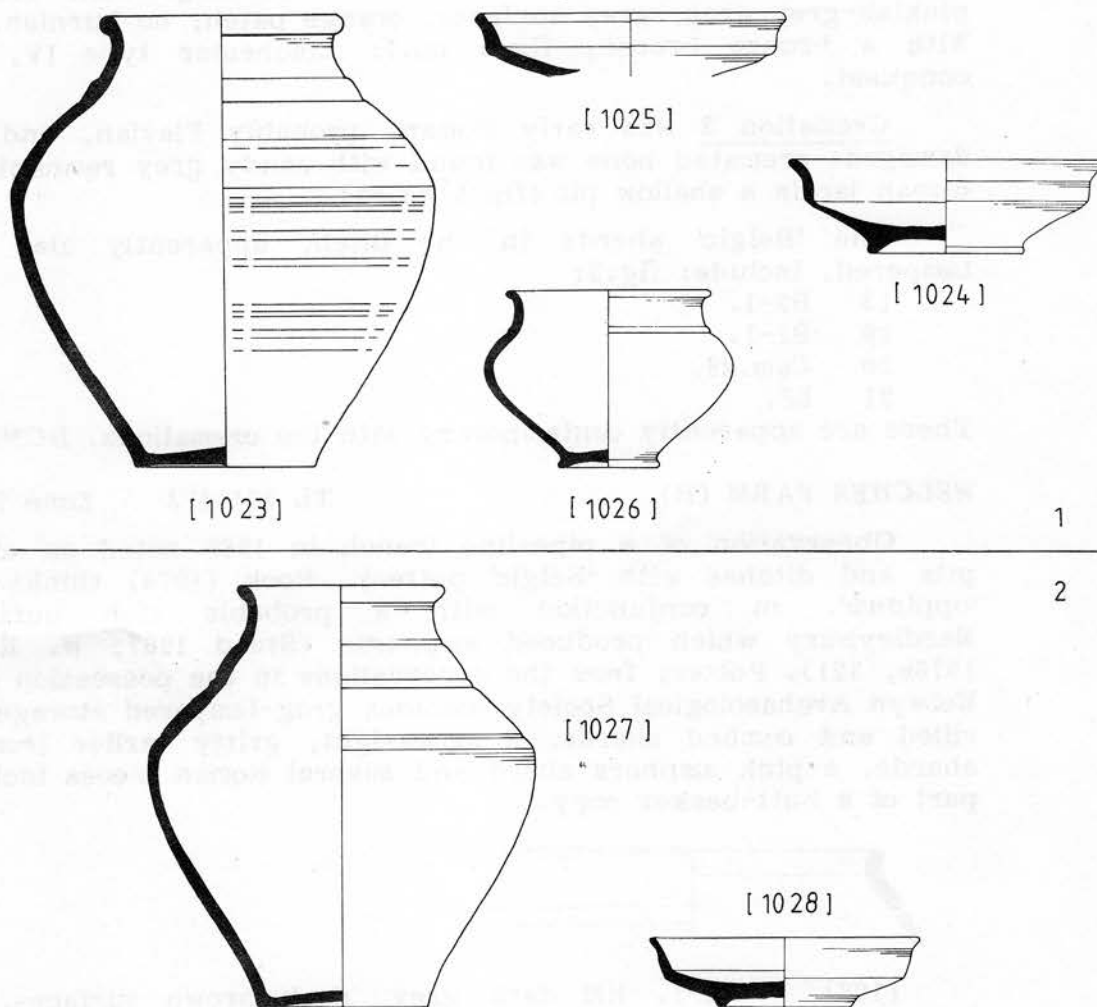


Fig.80: Pottery from Wards Coombe. 1:4.

Cremation 1: in a pit, 'covered by two burnt planks'.

1 [1023] B3-6. Grey grog, orange below grey surfaces, burnish lines on lower body. Contained bones, and a solid iron brooch, fig.6 no.2 (wrongly marked no.3). Post-conquest?

2 [1026] E3-1. Grey grog, orange-buff below dark grey surfaces, a bit patchy, some burnish remaining outside.

3 [1025] G1-3. Grey grog, pink below brown-grey surfaces, restored, burnish on wall inside and out.

4 [1024] G1-1. Grey grog, patchy grey-buff surfaces, some burnish.

Also two sheep/goat ribs, and a triangular iron knife, fig.6 no.4.

Cremation 2: in a much more summary shallow pit.

5 [1027] B3-6. Grey grog, thin, worn, orange below dark grey-brown surfaces, burnish above carination. Contained bones.

6 A bright red butt-beaker of type Cam.113, not grog-tempered.

7 [1028] G1-1. Complete but for large flake off side; pinkish-grey grog, grey surfaces, orange patch, no burnish. With a bronze brooch, fig.6 no.1: Colchester type IV, post-conquest.

Cremation 3 was early Roman, probably Flavian, and much damaged: cremated bone was found with sandy grey remnants of a Roman jar in a shallow pit (fig.5 no.25).

The 'Belgic' sherds in the ditch, apparently also grog-tempered, include: fig.3:

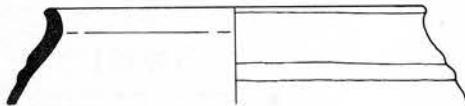
- 13 B2-1.
- 19 B1-1.
- 20 Cam.28.
- 21 L6.

These are apparently contemporary with the cremations. BCM.

WELCHES FARM (H)

TL 261 173 Zone 7

Observation of a pipe-line trench in 1968 noted an area of pits and ditches with 'Belgic' pottery. Rook (1974) thinks it an 'oppidum', in conjunction with a probable rich burial at Mardleybury which produced amphorae (Stead 1967; W. Rodwell 1976a, 321). Pottery from the observations in the possession of the Welwyn Archaeological Society includes grog-tempered storage jars, rilled and combed sherds, a loomweight, gritty earlier Iron Age sherds, a pink amphora sherd and several Roman pieces including part of a butt-beaker copy.



[108] B2-1. HM dark grey, dark brown surfaces, buff rim, smoothed outside, horizontal tooling on neck and over rim. Some grits in surface.

See also Aston; Datchworth.

WELWYN: GRAMMAR SCHOOL (H)

TL 228 117 Zone 7

Trenches put down to investigate finds during building found one of the small plateau settlements around modern Welwyn (Arnold 1952-54, 129). A small excavation was made of an enclosure ditch; within the enclosure were signs of a hut. Adjacent to the enclosure were two burials, one found in 1938 and subsequently lost, and the other a late 1st century Roman group found in the excavations. A bowl, the only survivor of the 1938 finds (Arnold's no.15) went to the Welwyn U.D.C. offices for display, but has not been located. Traces of drainage ditches were also noted.

Arnold's finds from the enclosure ditch included pottery of Prae Wood types: a loomweight, a small bronze ring, flints, animal bones, 'Belgic brick' and a few fragments of Roman tile and brick were also found but it is not stated whether some or all of these also came from the ditch. A Claudian coin and part of a La Tene III brooch, not further described, were found in 1938 but again their exact provenance is unknown.

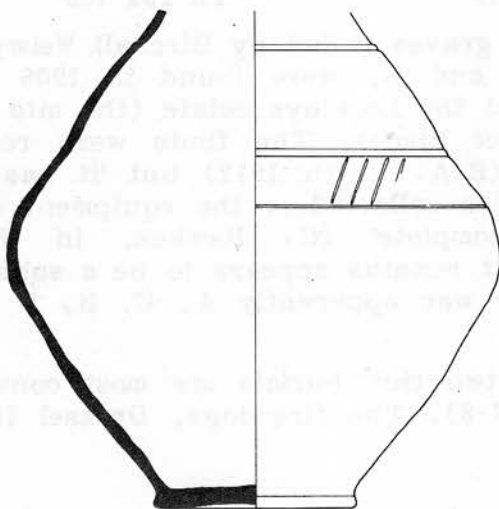
The pottery, with the exception of no.15, was deposited with the Grammar School, now Stanborough School, Lemsford Lane. I have not seen it. A fragment of a white butt-beaker and the butt-beaker rim no.9 are Gallo-Belgic forms; the rest is close to Prae Wood and other local Herts. types, showing no post-conquest influence on form, and not necessarily as late as Holmes considered them (Holmes in Arnold 1952-54, 131-4).

- 1 B3-10.
- 2 C6-1.
- 3 uncertain form, close to no.62 from the Dellfield site, Berkhamsted (q.v.), and like an Iron Age form.
- 4,5 D1-1. 'At least 8 more' such rims.
- 6 C7-1. Not necessarily 'as late as AD 60'.
- 7 G5-6. 'Also part of another butt-beaker, in reddish-brown ware with cordons.'
- 8 C7-1.
- 9 'pinkish-buff ware', apparently a butt-beaker rim.
- 10 B3-4.
- 11-2 C8-1. These are closer to Wheathampstead than Prae Wood.
- 13 C5-1. 'Brownish-grey native ware', apparently not shell.
- 14 E1-4. One of the few here with the 'red surface'.
- 15 D1-1.

In the new WHM are some of the Regional Survey Committee's collection of local vessels (cf. sites listed in Arnold's appendix, 136-7, and map, 129):

1 A jar of type C7-1, HatM.H.47, 'Found, with a large quantity of pottery, near the Free Church, W.G.C.' This is site no.4 in Arnold's list; only this specimen was preserved by the Regional Survey Committee.

2 HatM.H.48, 'Welwyn & District Regional Survey Association', but unprovenanced.



[1192] B3-8. Gritty grey grog, dark grey gritty surfaces, once burnished with diagonal lines on band, now worn and broken. W. Hughes (1938) gives a survey of other finds of 'Belgic occupation' in the Welwyn area; cf. Holmes 1958-61, 97. See Rook 1968a, fig.1, for a plan of sites and finds, with grid references etc.; only the main discoveries have been included here.

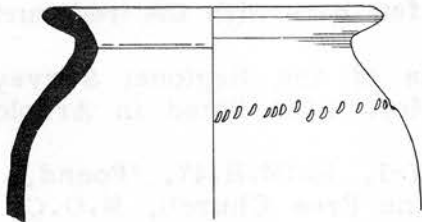
WELWYN: ATTIMORE ROAD (H) TL 226 124 Zone 7

Four cremation groups found at 61-63 Attimore Road (W. Hughes 1938, 144; site no.3 in Arnold 1952-54, 136). They were published only as a photograph of two groups, showing a Gallo-Belgic platter, a flagon, a large jar, two small native cups and a carinated bowl; there were also 'four La Tene III brooches and a small metal mirror in fragments'. The pottery in the photograph is distinctly Roman and the groups are not pre-conquest.

The finds were kept by the Regional Survey Committee, and have not been traced.

WELWYN GRANGE (H) TL 231 164 Zone 7

Rook (1973) gives a plan and summary of the various collections of pottery from this extensive cemetery. They are all Roman; several of the first batch of 150, presented to HeM, are in fact identifiable, in the museum store labelled 'Welwyn 1908' (see Mayes 1908-11). One is grog-tempered; apparently an example of the use of grog after the conquest for large thick-walled storage jars.



[1060] not in series. Hard romanised pale grey grog, red below patchy grey-buff surfaces, deep slashes, irregular. Coarse pot, and not typologically 'Belgic'.

WELWYN: CEMETERY (H) TL 232 159 Zone 7

The two chieftain graves called by Birchall Welwyn A and B, and their satellites C and D, were found in 1906 by workmen diverting a road around the Lockleys estate (the site is sometimes referred to as Prospect Place). The finds were recovered and roughly reconstituted (R.A. Smith 1912) but 'it has never been claimed that in the series collected... the equipment of the tombs has survived quite complete' (C. Hawkes, in Westell 1935, 351-354). However, what remains appears to be a substantial part. The order of discovery was apparently A, C, B, D (R.A. Smith 1912, 3).

The finds of the two rich burials are most conveniently set out by Stead (1967, 57-8). The fire-dogs, Dressel IB amphorae,

bronze jugs and patera are here joined by the two silver cups in Welwyn B, imports from the classical world and matched in the Welwyn Garden City grave. 'Roman [silver] plate played a significant role in foreign trade and diplomacy' (Strong 1966, xviii); the Welwyn B pair is almost identical to a pair said to be from Tivoli but could date anywhere within the 1st century BC. Stead places Welwyn A and B earliest in his 'chieftain grave' sequence in the 50-10 BC period.

A few observations might be made here:

- the iron frame in Welwyn B is reconstructed by Brailsford (1958; 1975) differently than originally thought.
- there is an extra Dressel IB amphora, without neck or handles, in VerM, apparently without accompanying objects (not in Peacock 1971, 185).
- an ornate bronze handle with red enamel bosses was found in one of the burials, but it is not known which (C. Hawkes in Westell 1935; cf. Fox 1958, 78). It is in HeM, 35.1964; it came from one of the workmen who found the burials.
- there are some extra sherds from Welwyn in the BM unregistered sherds store, indicating that several vessels have been lost; also some dark pink amphora sherds, part of a pink-cream sandy flagon of Verulamium fabric, and some hard grey Roman sherds, as well as a quantity of plain grog-tempered sherds other than those illustrated here. There is no provenance for them except one marked 'Belgic burial'.

Grave A:

[1527] A1 (=AB 102). BM 1911/12-8/10. 'Restored' with a huge plaster tulip shape; grey rather gritty grog, patchy grey-brown surface worn to orange in places; tooled brown under foot, not quite symmetrical.

[1453] F3-2 (=AB 103). BM 1911/12-8/9. Complete but chipped and worn, grey grog, strong spiral inside, worn surfaces, dark burnish outside.

With a Dressel IB amphora; pair of iron fire-dogs; handle of a bronze jug; base and handle of a bronze bowl, and pieces of a probable second bowl; 3 bronze masks.

Grave B:

[1448] A1 (=AB 104). BM 1911/12-8/33. Grey grog, dark grey surfaces, some outside burnish worn in places.

[1189] F3-2 (=AB 105). BM 1911/12-8/37. Much restored and foot looks very odd now: may not have been quite so tall. Rather sandy grey grog, pink below patchy dark grey surfaces, tooled, not shiny now.

With 5 Dressel IB amphorae; 2 silver cups; bronze jug and patera; tankard with bronze handle; bronze studs, bronze ring with knob; iron frame.

Grave C:

[1449] A1 (=AB 106). BM 1911/12-8/11. Very similar to [1448] above, grey grog, worn surface burnish, traces of burnished bands.

[1188] E1-1 (=AB 108). BM 1911/12-8/14. Thick rather sandy grog, cracked but still complete; grog shows on inside;

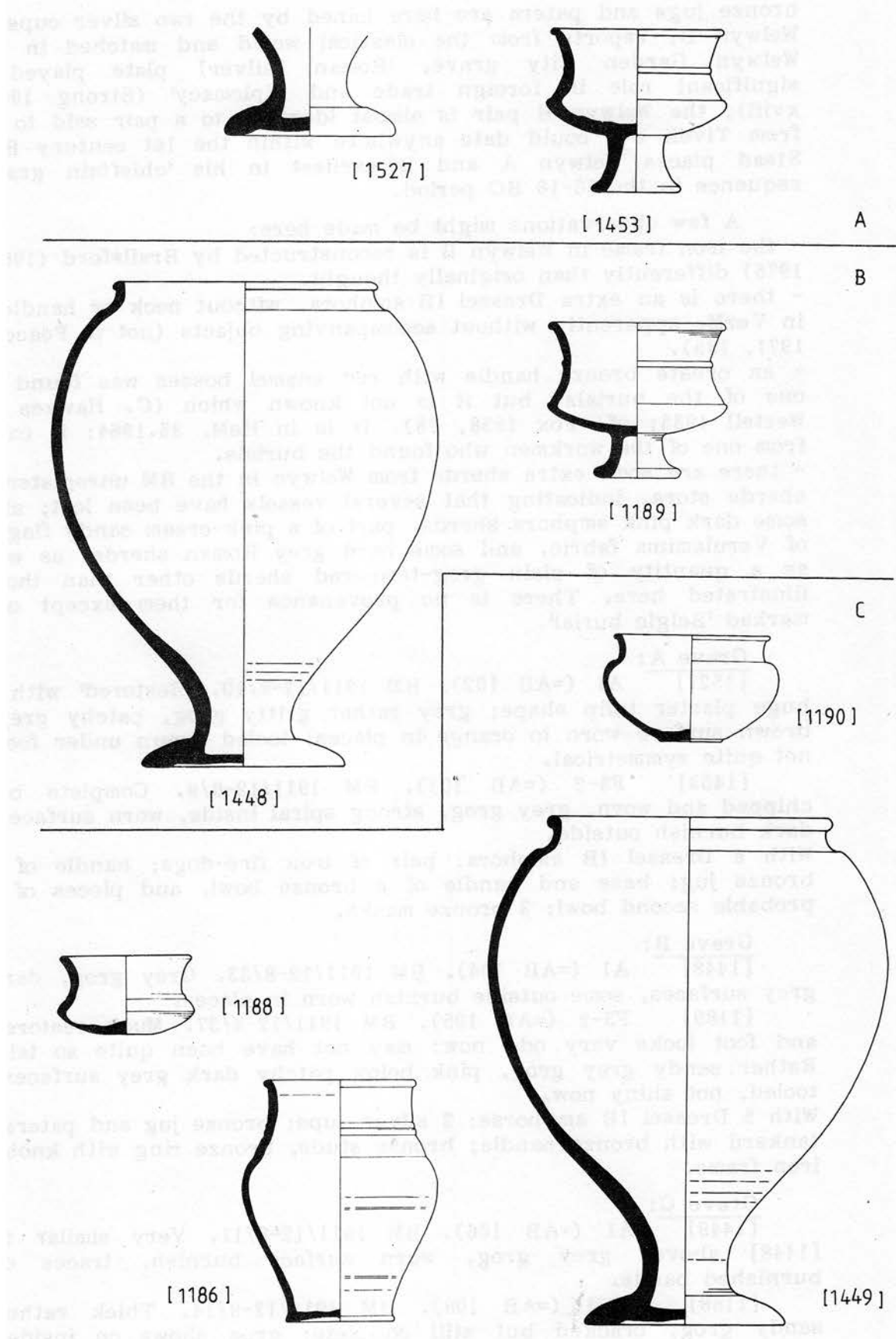


Fig.81a: Pottery from Welwyn. 1:4

summarily made on wheel, not quite symmetrical, very patchy dark grey-reddish surfaces, worn burnish outside.

[1190] E3-1 (=AB 109). BM 1911/12-8/13. Much restored, sandy-feeling grey grog, dark grey surfaces less patchy than the other pots, good but worn burnish on outside.

[1186] B3-6 (=AB 107). BM 1911/12-8/12. Mended, complete. Gritty grog, patchy red-dark grey surfaces, burnish on neck, foot and shoulder.

Grave D:

[1451] A5 (=AB 110). BM 1911/12-8/35. Elegant little grey-brown pot, grog, brown-red below surfaces, well burnished all over outside.

[1452] A1 (=AB 111). BM 1911/12-8/34. Very well made, by same potter as [1451]; grey grog, red below dark grey surfaces, not quite symmetrical, neat burnish and fine wheel lines.

[1187] F3-2 (=AB 112). BM 1911/12-8/36. Rather gritty grey grog, worn, patchy reddish-dark brown-grey surfaces, burnished outside.

Extras:

[1184] A1. BM unregistered. Fairly coarse grey-brown grog, light and dark inclusions, grey surfaces, burnished dark outside, now worn. Had a twig 2 cms long in foot which burn out, and not surprisingly the foot broke along the gap. Another foot very similar, and same fabric, less remaining and narrower cordon.

[1183] A4. BM 1911/12-8/38, from 'Belgic burial'. Gritty grey grog, some round sandy grits visible in clay, patchy worn buff-brown on top, dark grey tooled underneath.

[1182] B1-1. BM unregistered. Hard grey grog, very neat, grey-brown outside, burnished grey over rim. Not shiny but very well tooled.

The grittiness of the grog tempering is a Herts. characteristic; at Braughing, for instance, the fabric becomes less gritty in time.

WELWYN GARDEN CITY (H)

TL 254 131 Zone 7

The richest 'chieftain grave' found so far was disturbed by a gas pipe trench on the Panshanger housing estate in 1965, and hurriedly excavated. Stead (1967; list, 59) discusses the range of finds, notably Dressel IB amphorae, gaming pieces, a bronze dish and strainer, and a silver cup imported from the Mediterranean, as well as 36 pots including unique native types as well as some unusual imports. All the native pottery is grog-tempered. The strainer spout is one of four found in Britain (J. May 1971); Stead (1971) discusses the two wooden buckets with ring handles and iron bands.

Like Welwyn graves A and B, this grave had satellites: 5 pots were found singly but more or less near the main burial, and one more was rather further away. This last contained two pieces of a probable burnt iron brooch with the bones. I have not examined all the vessels, as they were in process of restoration.

Main burial:

- 1 A2. Buff-grey fine grog, dark grey burnish outside, worn on rim and less so on base. Strong wheel-marks on centre base.
- 2 A2.
- 3-4 A1.
- 5 A2.
- 6 A1.
- 7 A2.
- 8 E1-1. Buff, grog, dark grey worn burnish outside.
- 9 E1-1. Dark burnished grey grog, red around rim.
- 10 F3-2. Grey-buff fine grog, burnt pink in patches around rim.
- 11 F3-2.
- 12 F3-2. Buff-grey grog, dark grey finely burnished surface.
- 13 F3-2. Dark grey grog, worn pinkish rim, dark grey burnished surface.
- 14-7 F4. Grey grog, shiny orange surfaces. All very similar.
- 18 F3-4.
- 19 B5-3. Fine grey grog, pink at rim, dark grey burnished outside.
- 20 F1-2. Fine grog-tempered pale orange.
- 21-2 F3-5. Dark buff-grey coarse grog, grey burnished surface.
- 23-4 E3-1. Both rather rough, dark brown grog, burnished; not as well made as other pots in the burial.
- 25 S2. Pale grey grog, pale orange-buff surfaces, greyer inside. The top has broken away neatly all round at the weak point, the angle with the body. Turning lines inside. The knob has now been found in the spare sherds (1981).
- 26 not in series. Fabric as no.27.
- 27 L2. Grey grog, dark grey-brown patchy surfaces, burnished outside.
- 28 L3. Grey grog, buff-orange surfaces; thick and rather roughly made.
- 29 import, micaceous coating. Not very regular in shape.
- 30 as no.29.
- 31-2 B5-1.
- 33-5 G6. Grey grog, orange pale surfaces; inclusions very clear.
- 36 imported jug, micaceous, as described in report.

Satellite burials:

- 1 B3-6. Grey grog, not shiny.
 - 2 B3-6.
 - 3-4 not in series.
 - 5 B5-1.
 - 6 not in series. Nos.4 and 6 are unusual bases. This one is very similar in fabric to the jug, no.33, with plain dark grey surfaces.
- In HeM store, labelled 'Welwyn Garden City', is an everted rim coarse jar in a hard grey grog-tempered fabric with a reddish horizontally combed lower half and incised zig zag combing on the

shoulder, 21.2 cms tall and 17.5 cms in rim diameter. There are no circumstantial details.