

85 not in series [577], coarse dark brown grog, grey-orange inside, burnished dark grey outside.

LVA Grey Clay (fig.98):

86 B1-1 [595], pale grey coarse grog, dark grey surfaces, smooth; large parts flaked away over rim and outside.

87 B2-1 [596], very coarse pale grey grog, dark grey flaked surfaces; orange patches below surface.

88 C7-1 [593], thick coarse grey grog, buff-orange outside, smoothed on neck.

89 C7-1 [590], coarse grey grog, greyish surfaces mostly worn to buff-orange, rough.

90 E1-2 [591], grey fine grog, dark grey smooth surfaces.

91 G5-6 [592], burnt grey grog, patchy grey-red-orange worn surfaces.

92 not in series [594], very hard dark brown ?grog, burnt red patches; orange-grey hard smooth surfaces.

LVA, LVIA, LVIIA Grey Clay (fig.98):

93 A1 [1355], very worn grey grog, patchy burnt orange-grey surfaces; original surfaces gone.

LVI Grey Clay (fig.99):

94 B1-6 [615], fine sandy matt grey, tiny white grits, thick sandy orange surfaces; original smooth buff surface remains on rim and in groove. Neatly made.

95 B5-2 [621], hard grey gritty grog, unburnished grey-brown surfaces.

96 C7-1 [622], brick-hard thick grey grog, patchy grey-orange surfaces, smoothed inside. Faint striations between grooves outside.

97 C7-2 [618], burnt soft red, grey showing on surface, original smooth buff surfaces but much worn below shoulder.

98 C7-2 [620], dense hard grey grog, unburnished.

99 D3-1 [612], fairly fine grey grog, smooth dark grey surfaces, worn on lower inside; some neck tooling.

100 E1-2 [619], hard brown grog, red below brown-grey surfaces, worn. Faint cordon.

101 E1-2 [617], hard dense grey grog, dark grey surfaces, some tooling inside and below cordon outside.

102 F3-5 [613], grey-brown grog, worn pale buff-orange surfaces.

103 G1-2 [616], hard dense dark grey probable grog, matt surfaces.

104 G1-3 [611], rather irregular, grainy brown grog with dark grey surfaces, smooth inside; black deposit, not a slip, outside.

105 G5-3 [610], dense grey grog, rough pale red surfaces.

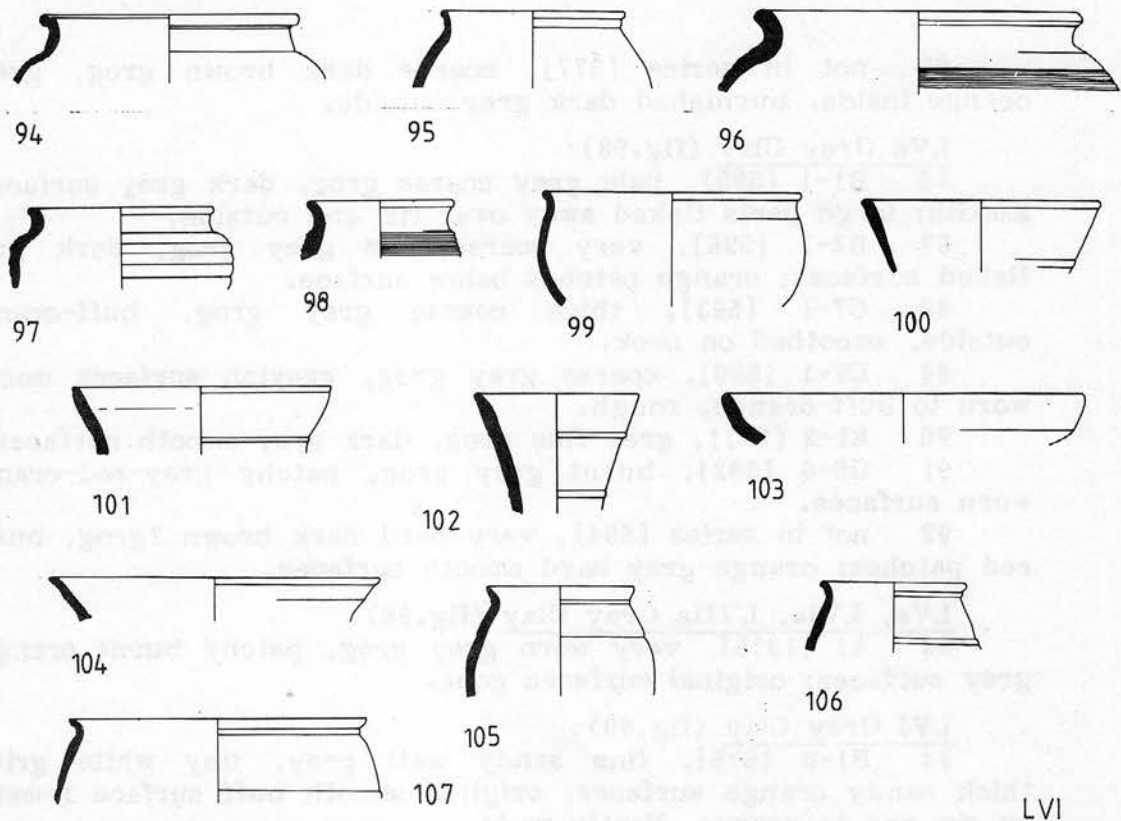
106 G5-3 [623], grey-brown grog, smooth grey-brown surfaces, worn inside.

107 G5-6 [614], very worn thin fine pale grey grog, no original surfaces.

LVIA Grey Clay (fig.99):

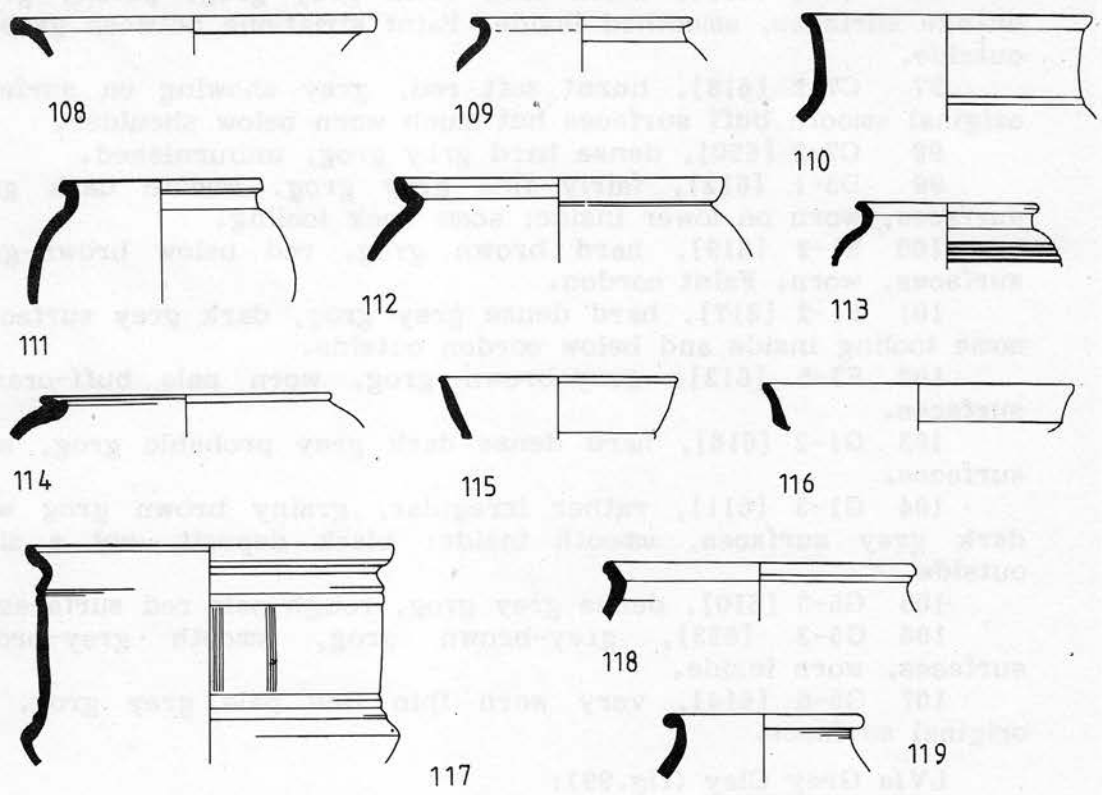
108 Cam.4A [607], TN, burnished inside only.

109 B1-1 [604], hard grey grog, dark grey surfaces, some tooling.



LVI

LVIa



**Fig.99: Pottery from Enclosure A ditch. Grey Clay. 1:4**

110 B1-4 [601], coarse grey grog, brown below flaked dark grey surfaces, unsmoothed.

111 B1-6 [598], thick brown grog, patchy worn grey surfaces; burnished.

112 C5-3 [608], coarse grey gritty grog, pale buff worn to red inside, dark grey unburnished outside.

113 C7-2 [603], grey grog, brown surfaces, almost all gone outside.

114 D3-2 [605], thick coarse grey-brown grog, worn to pale red inside, once tooled dark grey outside.

115 E1-2 [599], brown grog, smooth grey-brown surfaces.

116 G1-1 [600], dark grey thin grog, thick red surfaces; outside once greyer and burnished.

117 G4 [597], fine dense hard dark grey grog, unburnished brown-grey surfaces. Faint rouletted lines; some surface lost.

118 G5-6 [606], dark grey grog, thick pale red untreated surfaces.

119 not in series [602], coarse brown grog, reddish worn inside, tooled dark grey outside.

LVII Grey Clay (fig.100):

120 Cam.4A [473], hard dense grey, smooth hard grey surfaces.

121 Cam.51B [1325], 2 pieces, not joining: grey rather micaceous hard fabric, matt dark grey surfaces, much broken and worn.

122 B1-1 [478], hard brown-grey grog, patchy smooth buff-grey surfaces.

123 B1-1 [472], coarse pale grey grog, worn pale grey-buff surfaces.

124 B1-1 [482], thin worn pale grey grog, patchy very worn orange-grey surfaces.

125 B1-1 [480], grey grog, buff lumpy unburnished surfaces.

126 B1-4 [469], hard pale grey grog, patchy worn buff-grey surfaces.

127 B2-1 [465], hard grey grog, pale red below smooth grey surfaces.

128 B3-1 [476], hard dense grey grog, worn patchy buff-orange rough surfaces.

129 C7-1 [479], hard pale grey grog, buff-grey surfaces.

130 C7-1 [477], brown-grey grog, grey inside, patchy grey-buff outside.

131 C7-1 [466], hard coarse grey grog, worn patchy buff-grey inside, dark grey outside.

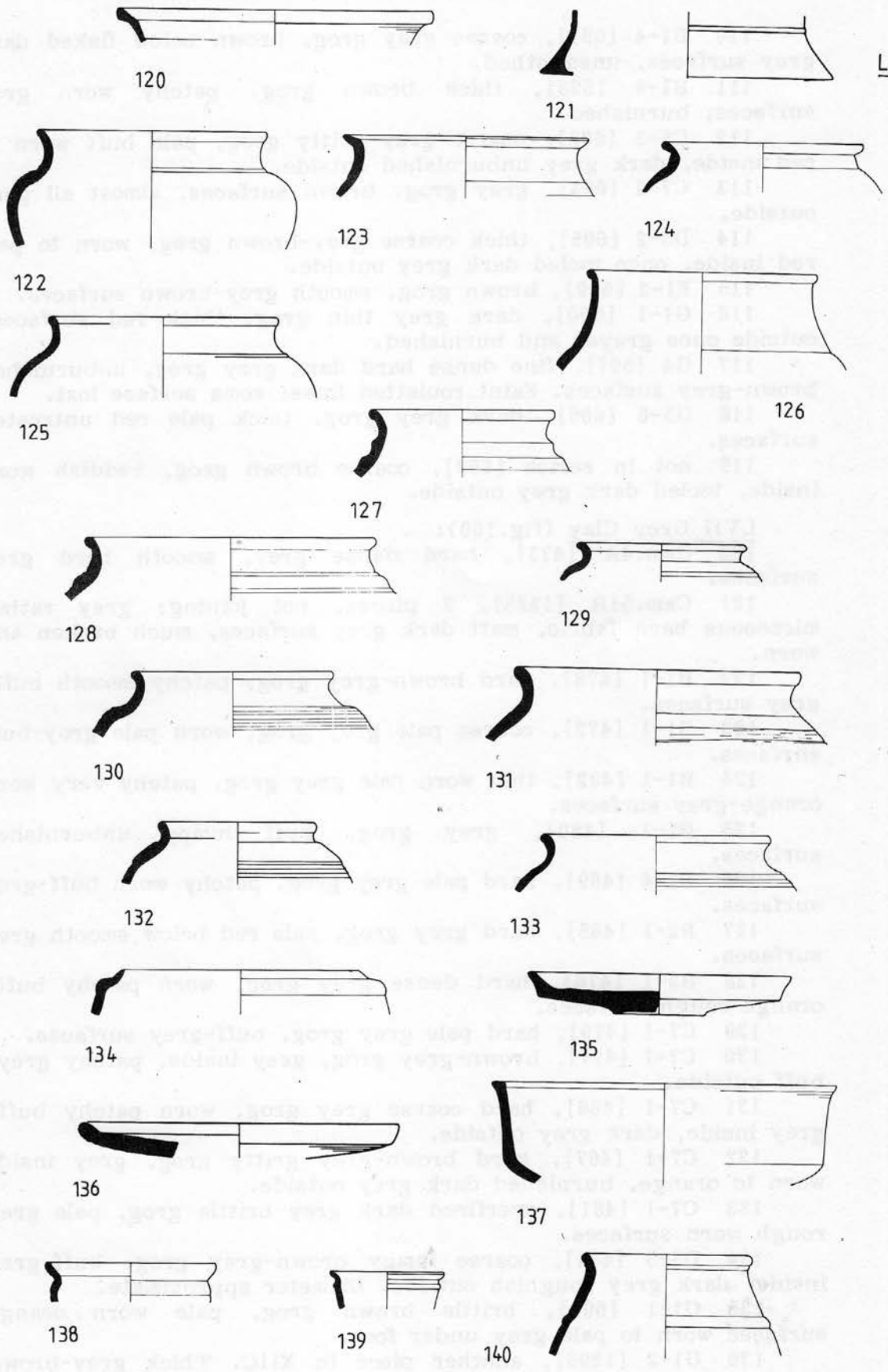
132 C7-1 [467], hard brown-grey gritty grog, grey inside worn to orange, burnished dark grey outside.

133 C7-1 [481], overfired dark grey brittle grog, pale grey rough worn surfaces.

134 D3-3 [474], coarse lumpy brown-grey grog, buff-grey inside, dark grey roughish outside. Diameter approximate.

135 G1-1 [690], brittle brown grog, pale worn orange surfaces worn to pale grey under foot.

136 G1-2 [1296], another piece in XIIC. Thick grey-brown grog, dark grey surfaces.



**Fig.100: Pottery from Enclosure A ditch. Grey Clay. 1:4**

137 G2-4 [475], dark grey probable grog, pale buff unburnished surfaces.

138 G4 [471], dense sandy brown, smooth pale orange surfaces, slightly worn, hard.

139 G4, S5 [468], fairly hard dark grey grog, patchy, not very smooth.

140 G5-4 [470], hard brown-grey gritty grog, red below patchy smooth buff-grey surfaces.

LVIIa Grey Clay (fig.101):

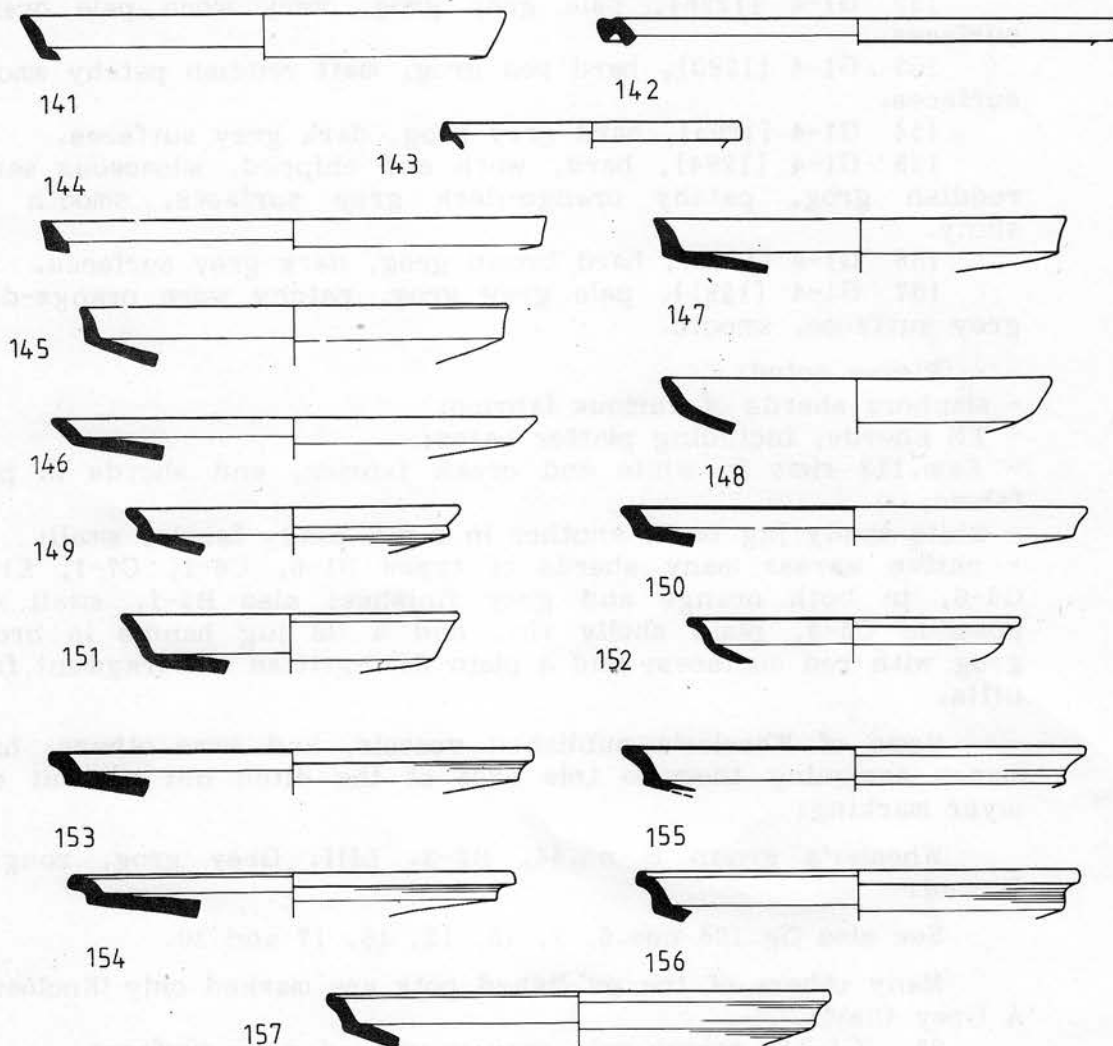


Fig.101: Pottery from Enclosure A ditch. Grey Clay. 1:4.

- 141 Cam.1 [1249], TN, worn.
- 142 Cam.4 [1248], TN, worn.
- 143 Cam.4 [1247], TN, worn.
- 144 G1-1 [1285], grey gritty grog, pale orange patchy non-shiny surfaces.
- 145 G1-1 [1283], sandy grey grog, hard orange surfaces almost entirely worn away.
- 146 G1-1 [1282], hard gritty grey-brown grog, patchy orange-dark grey surfaces, not very smooth.

147 G1-1 [1293], pale grey grog, dark grey surfaces, smoothed and tooled outside.

148 G1-1 [1299], dark grey gritty grog, rough dark brown-grey surfaces.

149 G1-1 [1297], grey grog, brown surfaces worn to pale orange patches.

150 G1-1 [1294], grey grog, pale orange below grey surfaces; traces of ?black paint or dark grey burnished surfaces.

151 G1-3 [1298], grey-brown grog, dark grey surfaces, worn and sandy.

152 G1-4 [1286], pale grey grog, very worn pale orange surfaces.

153 G1-4 [1280], hard red grog, matt reddish patchy smooth surfaces.

154 G1-4 [1295], hard grey grog, dark grey surfaces.

155 G1-4 [1284], hard, worn and chipped, micaceous sandy reddish grog, patchy orange-dark grey surfaces, smooth not shiny.

156 G1-4 [1300], hard brown grog, dark grey surfaces.

157 G1-4 [1281], pale grey grog, patchy worn orange-dark grey surfaces, smooth.

Pieces noted:

- amphora sherds of various fabrics;
- TN sherds, including platter bases;
- Cam.113 rims in white and cream fabrics, and sherds in pink fabric;
- white sandy jug base; another in a red sandy fabric, small;
- native wares: many sherds of types B1-6, C6-1, C7-1, E1-2, G5-6, in both orange and grey finishes; also B2-1, small A1, possible C5-3, plain shelly rim, and a G6 jug handle in brown grog with red surfaces; and a plain flint-gritted rim fragment from LIIIa.

Some of Wheeler's published vessels, and some others, have marks assigning them to this area of the ditch but without any layer marking:

Wheeler's group B no.44, B2-3. LIII. Grey grog, roughly formed.

See also fig.106 nos.6, 7, 10, 12, 16, 17 and 20.

Many others of the published pots are marked only 'Enclosure A Grey Clay':

25 G1-11, coarse pale grey grog, red-grey surfaces.

27 Cam.53, fine sandy red, worn red slip on inside and over rim.

28 not in series. Thin grey, slightly sandy; not an obvious foreign fabric, but darker grey outside, perhaps copying TN.

33a G4, much restored pale buff.

33b G4, dark grey grog, much restored, once a red burn on lower body.

38 E2-1, gritty pale grey grog, once burnished, dark grey outside.

40 E2-3, almost black, restored, grey inside. One hole.

41 E1-4, as no.40; black shine due to restoration.

- 42 D1-2, restored dark brown-grey.
- 43 E2-1, restored, grey-brown, reddish inside, probably grog.
- 45a B3-6, grey grog, pink below grey surfaces, once burnished.
- 45b B3-6, hard pale grey grog, very faint decoration on smooth surface.
- 46b B3-8, pale grey grog, restored.
- 47 A6, grey grog, red below grey burnished surfaces.
- 48 A5, broken pedestal, smoothed break; grey-brown grog.
- 49a A1, grey grog, red below dark grey surfaces.
- 50 A3, hard grey grog, faint cordons, evenly coloured throughout.
- 54 D3-4, hard coarse pale grey grog, rough grey-orange inside, grey-brown hard outside.
- 61e C7-1, coarse dark grey, restored; burnished over rim. 5 holes in base.
- 64b C5-2, patchy grey-orange, well made, restored.
- 64c C5-2, grey small grits, red-grey inside, darker grey outside smoothed.
- 66a C1-2, HM, some shell, thick and heavy, black core, dark grey surfaces.
- 69a B1-2, restored, dark grey.

## XII

This is divided into XII, XIIA, B, C and Z; the layout is unclear. Wheeler's published group B vessels with XII markings are listed below; it is apparent, as elsewhere, that sherds of the same vessel can be scattered along the ditch. Subsidiary marks such as TIP and MIX are omitted, as their significance is lost.

- 8 Cam.5A, XII. TN.
- 10 Cam.3, XIIA, TN.
- 11 Cam.2, XII, XIIA. TN.
- 13 G1-1, XIIC. Hard fine grey grog, patchy grey-pale orange-buff surfaces, smooth.
- 14 G1-1, XII. Dark grey, restored.
- 18 Cam.2B, XIIB. TN, worn.
- 20 G1-3, XIIB. Grey grog, hard, patchy worn surfaces.
- 21 G1-1, XIIB. Grey grog, hard, patchy worn surfaces.
- 23 G1-1, XIIB. Hard grey grog, patchy worn surfaces.
- 26 G3-1, XIIA. Worn slightly gritty grey grog, surfaces lost.
- 31c G5-4, XII. Restored, red surfaces, uneven rim.
- 35b E1-2, XII. Restored, pale red surfaces, burnished.
- 35d E1-3, XIIA. Grey grog, smooth dark grey surfaces.
- 36 G4, XIIC. Restored, red-grey surfaces, burnishing in grooves.
- 52 B3-10, XIIZ. Huge, fine dark grey grog, buff-grey surfaces, smooth.
- 53 D3-4, XII. Coarse pale grey grog, some flinty lumps, rough pale grey surfaces; well made.
- 55 D3-2, XIIA. Fired black, no visible temper. Red-brown inside, grey outside, probably grog.
- 57 B1-6, XIIC. Thin hard pale grey grog, hard smooth surfaces.

58 E3-5, XII. Restored, brown-grey, burnished, well-shaped.

60a C6-1, XII, XIIC. Thick coarse grey grog, patchy orange-grey surfaces.

61a C7-1, XII, XIIB. Coarse rubbishy dark grey grog, patchy grey-buff hard rough surfaces.

61b C7-1, XII. Coarse grey grog, orange patches on lower body.

64a C5-2, XII. Fine orange-grey grog, patchy smooth surfaces, tooled on neck; neat decoration.

64d (C5-2), XII and II. Grey vesiculated fabric, fired orange with grey pitted surface.

68 (G2-2), XIIA. Rough brown, restored.

#### Unpublished vessels from XII

##### XII (fig.102):

1 D3-2 [783], hard pale grey grog, slightly gritty, worn. More pieces scattered throughout XII.

2 E1-3 [796], pale grey grog, dark grey inside, dark grey-buff outside much worn.

3 D3-4 [785], coarse grey grog, worn.

4 C2-3 [795], hard thick dark grey, probably grog, roughly tooled around neck.

5 G4 [1327], hard grey grog, pale orange surfaces, smoothed outside; shallow incised lines.

6 D1-1 [1329], XII and XIIC. Grey coarse grog, burnt to white surfaces, rough.

7 D1-2 [797], grey grog, grey-brown surfaces, untreated.

8 G5-3 [784], thin dark grey grog, smooth surfaces, faint incised decoration. Base is same fabric but does not join.

9 D1-2 [1243], hard grey grog, patchy reddish-grey surfaces, no burnish.

##### XIIA (fig.102):

10 B1-4 [798], thick grey grog, patchy grey-buff untreated surfaces, smoothed outside.

11 D1-1 [1242], XIIA and B. Several joining pieces. Hard dark grey gritty grog, red-buff patchy surfaces, not burnished.

12 E1-3 [681], grey-brown grog, grey surfaces, worn inside. Tooled.

13 not in series [799], coarse gritty black, HM.

14 C5-2 [693] XIIA and XII 'Roman ditch': joining sherds. Hard rather gritty pale grey grog, thick orange surfaces, rough.

15 (C8-1) [802], sandy pale grey buff hard surfaces, smooth inside; hard and well made.

16 G1-3 [801], grey grog, dark grey surfaces, burnished below rim on outside to black. Worn but well shaped.

17 L5 [1330], 2 pieces, grey grog, one grey-brown surfaces, the other dark grey and rougher. Once a good piece.

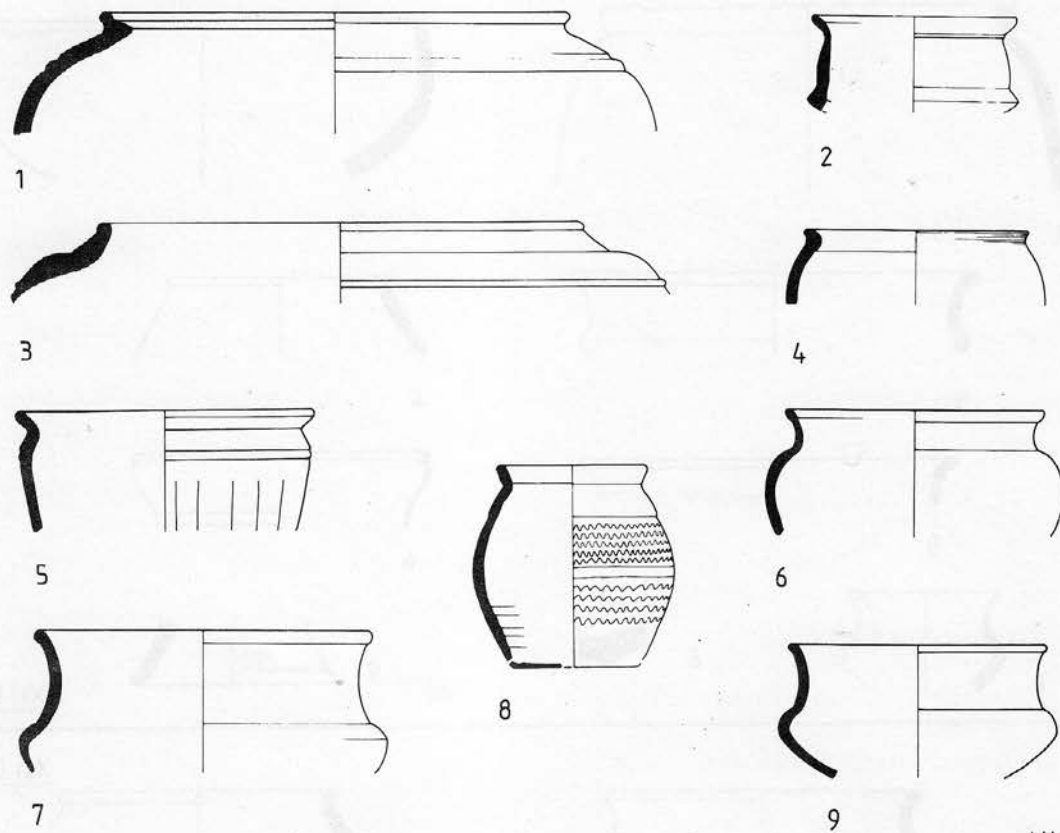
##### XIIB (fig.103):

1 C5-2 [309], rough hard brittle grey grog, very worn reddish surfaces, pitted outside; traces of original grey surfaces.

2 D3-1 [1331], XII and XIIB. Hard grey rough grog, pale worn buff surfaces.

3 G4 [804], grey grog, orange surfaces, very worn.





XII

XIIA

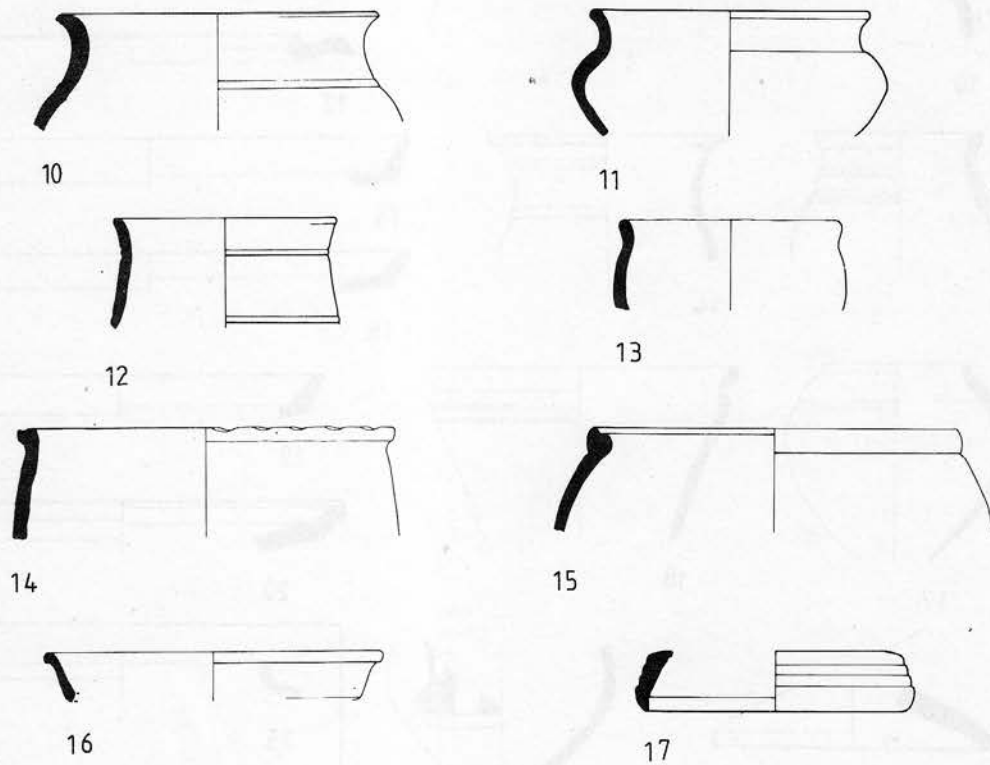
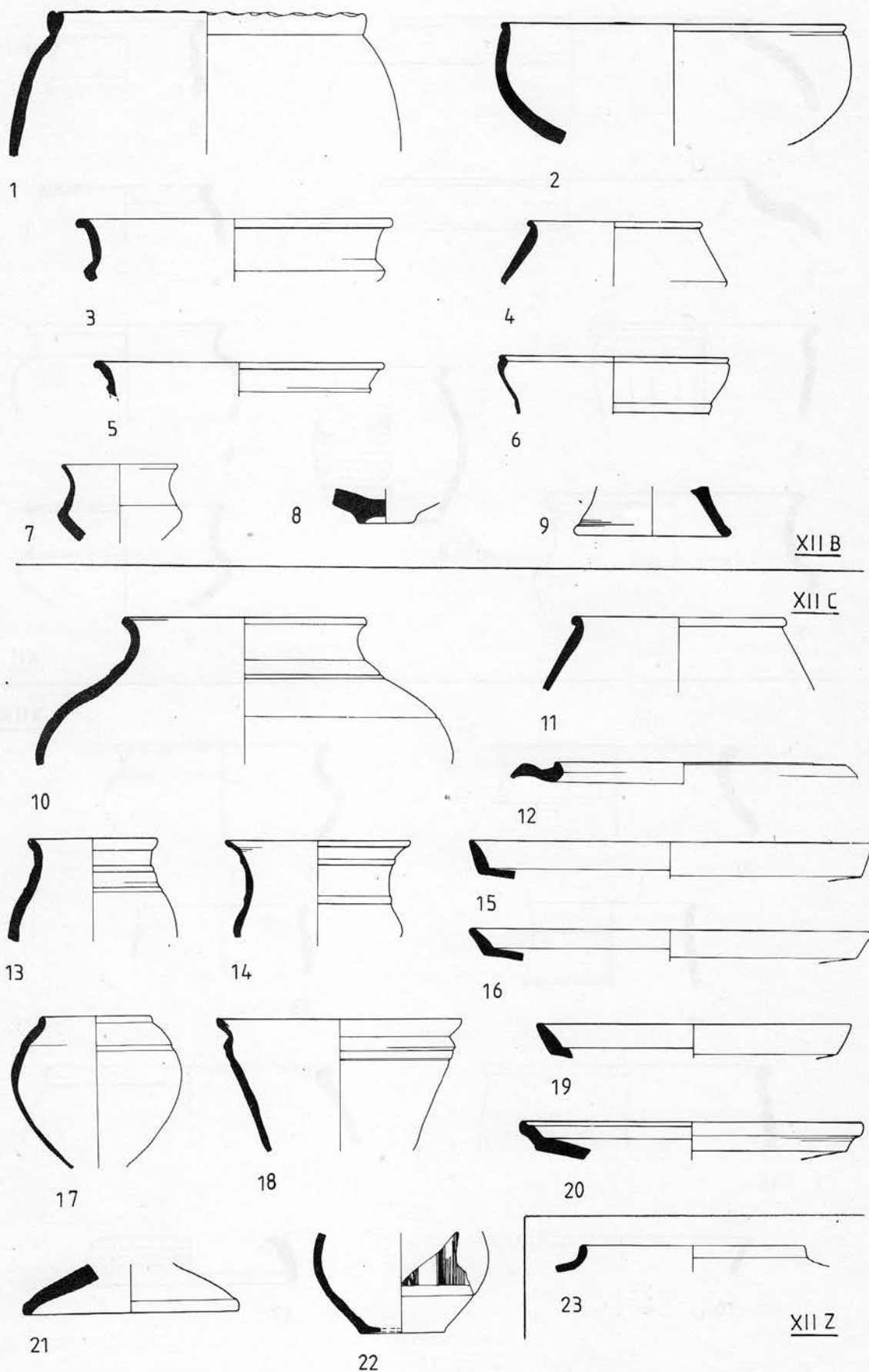


Fig.102: Pottery from Enclosure A ditch. XII. 1:4



**Fig.103: Pottery from Enclosure A ditch. XII. 1:4**